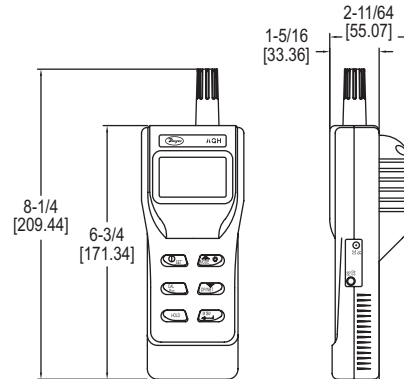


Dwyer

MODEL AQH-20

HANDHELD INDOOR AIR QUALITY METER

Measures CO₂, Temperature and Humidity

The **Model AQH-20 Handheld Indoor Air Quality Meter** reduces the number of instruments a contractor has to carry by measuring carbon dioxide concentration, air temperature, and humidity percentage in one device. A large backlit LCD shows all three parameters simultaneously. This product offers user selectable engineering units, maximum/minimum/average readings, a hold function, and an audible alarm.

BENEFITS/FEATURES

- All-in-one unit for carbon dioxide, temperature, and humidity
- Large backlit LCD for visibility in dark areas
- User configurable alarms for audible indication of hazardous conditions

APPLICATIONS

- Building commissioning
- Green house monitoring

MODEL CHART

Model	CO ₂ Range	Humidity Range	Temperature Range
AQH-20	0 to 2000 PPM	0.0 to 99.9%	14 to 140°F (-10 to 60°C)

SPECIFICATIONS

Ranges: CO₂: 0 to 2000 PPM; Temperature: 14 to 140°F (-10 to 60°C); Relative humidity: 0.0 to 99.9% RH.
Accuracy: CO₂: ±30 PPM ±5% of reading; Temperature: ±0.9°F (±0.6°C); Humidity: ±3% RH (10 to 90%), ±5% (0.0 to 9.9% or 90 to 99.9%).
Resolution: CO₂: 1 PPM; Temperature: 0.1°F (0.1°C); Humidity: 0.1% RH.
Response Time: CO₂: < 30 s; Temperature: < 2 minutes; Humidity: < 10 minutes.
Display: 4 digits for temperature/CO₂ and 3 digits for humidity.
CO₂ Sensor: Non-dispersive infrared.
Temperature Limits: 32 to 122°F (0 to 50°C).
Humidity Limits (Non-Condensing): 0 to 95% RH.
Power Requirements: (4) 1.5 V AA alkaline batteries, included, user replaceable.
Warm Up Time: 30 s.
Weight: 6.76 oz (200 g).

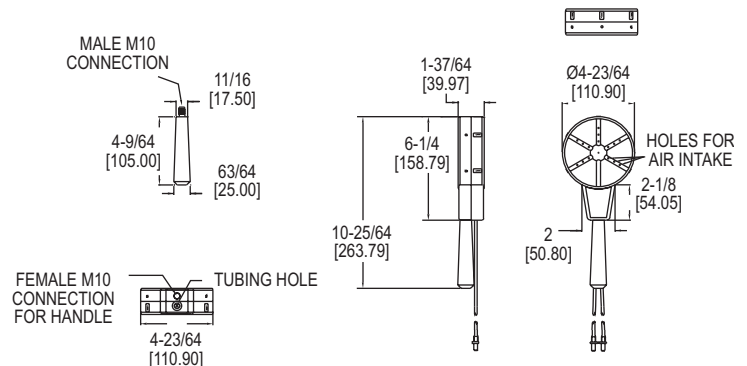
MODEL ANE-1

DIFFERENTIAL PRESSURE ANEMOMETER

Bi-Directional Anemometer, No Sensing Electronics



Tubing adaptor



The **Model ANE-1 Differential Pressure Anemometer** is a robust and durable bi-directional anemometer with no moving parts or sensing electronics. Using the installed tubing, the ANE-1 connects easily to any manometer or applicable pressure sensing device and is capable of measuring a wide velocity range. The air velocity range and accuracy is dependent on the installed manometer, and the ANE-1 retains the accuracy as long as it is dust free.

BENEFITS/FEATURES

- Wide velocity range dependent on connected manometer
- Includes 5' of blue and 5' of red silicone tubing with a removable adaptor sized 2 mm OD to 3/16" OD

APPLICATIONS

- Measure face air velocity on grills, diffusers, registers, exhaust hoods

SPECIFICATIONS

Service: Clean air only.
Wetted Materials: Anemometer: ABS; Tubing: Silicone; Handle: Phenolic.
Dimensions: Tubing: 2 mm ID x 4.5 mm OD; Adaptor: 2 mm OD to 3/16" OD connections.
Temperature Limits: 23 to 122°F (-5 to 50°C).
K-Factor: 0.843.
Process Connections: 2 removable 5" (12.7 cm) tubing 3/16" ID.
Weight: 7.7 oz (220 g).

MODEL CHART

Model	Description
ANE-1	Differential pressure anemometer